

مشخصات کلی و ابعاد دقیق فلومتر

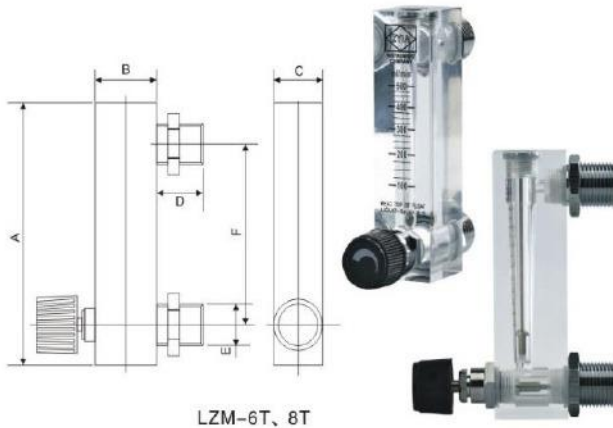


YUYAO KINGTAI INSTRUMENT CO.,LTD

LZM Series Acrylic Flow Meter

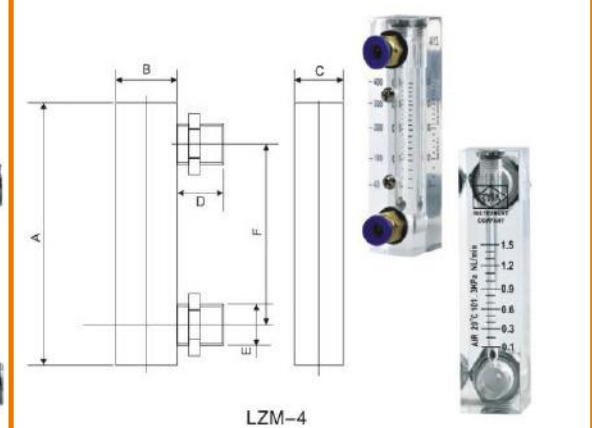
LZM-4T, 6T, 8T

Outline Dimension (with regulator)



LZM-6T, 8T

Outline Dimension (without regulator)



LZM-4

Technical Parameters of LZM-4T, 6T, 8T Series Flow Meter

Model	Range			Screw Thread	Accuracy	Size (mm)						
	MI/min (Liquid)	L/min (Gas)				A	B	C	D	E	F	
LZM-4T	6-60 8-80 30-120 40-400	0.05-0.5 0.25-2.5 1-5	0.1-1 0.6-6 1-12	0.2-2 1-4 1-12	Direct $\phi 6$	$\pm 4\%$	94	27	21	14	14	70
LZM-6T	6-60 10-70GPH 16-160 25-250 80-400 100-500 100-600 200-800 100-1000	0.1-0.8 0.3-3 1-5 2-20 4-20 10-60 0.05-0.25m ³ /h 0.04-0.4 m ³ /h	0.1-1.5 0.4-4 1-12 3-15 5-25 10-70 0.1-1 0.2-2	0.1-1 0.5-8 2-10 3-30 6-30 10-100	(F) 1/4" BSP		102	30	25	20	M18x1.5	77
LZM-8T	2.5-25LPH 5-45LPH 6-60LPH	0.16-1.6 m ³ /h 0.1-1 m ³ /h 0.2-2 m ³ /h					110	25	25	20	M18x1.5	80

جنس اجزای تشکیل دهنده ی فلومتر

The material of LZM- 4T, 6T, 8T Series Flow Meter

With valve	Valve	Fitting	Float	O-ring
T-With	√ 1.Brass	1.ABS 2.PP 3.PVC 4.Brass	√ 1.SS 2.Acryllc 3.Agata ball	√ 1.Silicon rubber 2.Fluorin rubber
O-No	2.SS	√ 5.Brass chromeplate 6.SS	4.PTFE	3.Butyl

Note: Mark with √, the material of the Flow Meter is the General Configuration